

BREEZE

The new angled air cooler



AIR HEAT EXCHANGER MANUFACTURER

BREEZE

The new angled air cooler

BREEZE is the new angled air cooler for commercial refrigeration, in particular for small cold rooms.

FLUIDS AVAILABLE

- Synthetic refrigerants
- Brine
- CO₂

- 10%

**REFRIGERANT CHARGE
COMPARED TO MARKET REFERENCE**

18

models

54

versions

From 0,8 to 10 kW

DT 8K Capacity

Up to 2 kW/lt

SC2 fin spacing 4,5 mm

+ 8%

increased thickness
high-efficiency rippled tube

+ 20%

increased thickness
high-efficiency louvered fins



Performance



kW/It and kW/W performance
at the top of the market.

Solidity



Increased thicknesses in the coil
without compromising
on material quality.



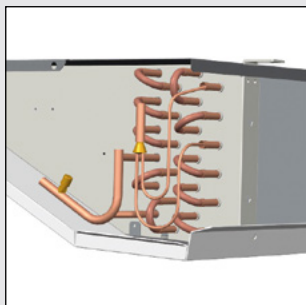
**Metal structure in pre-painted
plate 15/10**
for excellent solidity.



**Opening drain tray and inner
drain tray**
for great accessibility (315 mm).

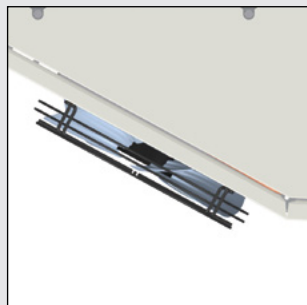
BREEZE

The new angled air cooler



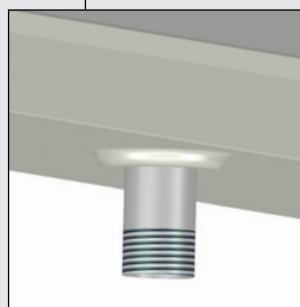
Wired fan unit

To optimize installation activities.



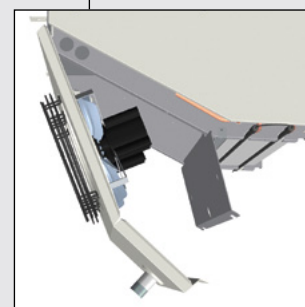
Reliability

With increased thicknesses and aluminum endplates.



Aluminum casing and drain connections

For high solidity.



Machine easy to sanitise

Thanks to hinged casing.

Accessories

- EC fan motors
- AISI 304 casing
- Cataphoresis coil treatment



Range

Machine height (slim)	256 mm
3 fin spacing	3 - 4,5 - 7 mm
Fan size	Ø 250 - 315 mm
DT 8K Capacity	0,8 ÷ 10 kW
Number of fans	1 ÷ 3

	Fan size Ø mm	DT 8K Capacity kW	3 fin spacing mm
BREEZE E 25	250	0,8 ÷ 4	3 - 4,5 - 7
BREEZE E 31	315	2,5 ÷ 10	3 - 4,5 - 7

BREEZE E 25

The new angled air cooler



stefani-online.it

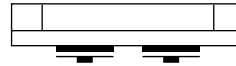
Ø 250 mm
FAN SIZE

0,8 ÷ 4 kW
DT 8K CAPACITY

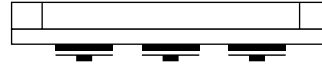
3 - 4,5 - 7 mm
3 FIN SPACING



BREEZE E 25-1



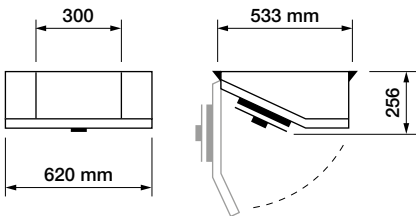
BREEZE E 25-2



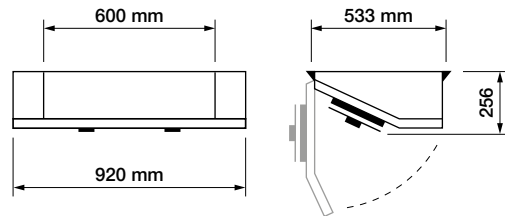
BREEZE E 25-3

DIMENSIONS

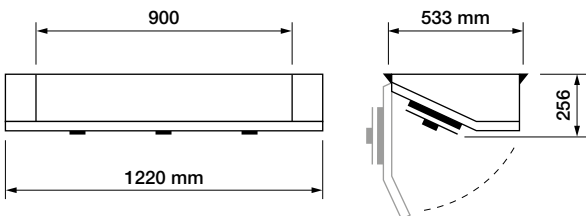
BREEZE E 25-1



BREEZE E 25-2



BREEZE E 25-3



SELECTION CODE

BREEZE E 25 1 C 4,5 A 4S

BREEZE	angled air cooler
E	E = direct expansion C = CO ₂ dx W = brine P = pumped
25	fan size Ø 250 mm
1	number of fans
C	coil type
4,5	fin spacing mm

A	A = air defrost E = electric defrost W = water defrost
4	electric motor poles
S	S = single phase D = three phase high speed Y = three phase slow speed
EC	electronic motor if present

BREEZE E 25

The new angled air cooler



stefani-online.it

FIN SPACING 3 mm / 4 poles	CAPACITY		SURFACE m ²	AIR FLOW m ³ /h	SOUND PRESSURE dB(A) @ 5m	N° FANS x DIAMETER Nr. x Ø mm	FAN SPEED Rpm	POWER W	CURRENT A	AIR THROW m	DEFROSTING POWER kW	VOLUME lt	WEIGHT kg	Ø IN mm	Ø OUT mm
	SC2 - kW	SC3 - kW													
BREEZE E 25-1 C 3 A 4S	1,2	-	5,9	550	38	1x250	1300	95	0,68	7,5	0,35	0,5	27	12	16
BREEZE E 25-2 C 3 A 4S	2,4	-	11,8	1100	41	2x250	1300	190	1,36	8	0,7	1,1	39	12	16
BREEZE E 25-3 C 3 A 4S	3,7	-	17,7	1650	42	3x250	1300	285	2,04	8	1,05	1,6	51	12	16

FIN SPACING 4,5 mm / 4 poles	CAPACITY		SURFACE m ²	AIR FLOW m ³ /h	SOUND PRESSURE dB(A) @ 5m	N° FANS x DIAMETER Nr. x Ø mm	FAN SPEED Rpm	POWER W	CURRENT A	AIR THROW m	DEFROSTING POWER kW	VOLUME lt	WEIGHT kg	Ø IN mm	Ø OUT mm
	SC2 - kW	SC3 - kW													
BREEZE E 25-1 C 4,5 A 4S	1	0,8	4	600	38	1x250	1300	95	0,68	8,5	0,35	0,5	26	12	16
BREEZE E 25-2 C 4,5 A 4S	2,1	1,6	8	1200	41	2x250	1300	190	1,36	9	0,7	1,1	37	12	16
BREEZE E 25-3 C 4,5 A 4S	3,2	2,4	12,1	1800	42	3x250	1300	285	2,04	9	1,05	1,6	47	12	16

FIN SPACING 7 mm / 4 poles	CAPACITY		SURFACE m ²	AIR FLOW m ³ /h	SOUND PRESSURE dB(A) @ 5m	N° FANS x DIAMETER Nr. x Ø mm	FAN SPEED Rpm	POWER W	CURRENT A	AIR THROW m	DEFROSTING POWER kW	VOLUME lt	WEIGHT kg	Ø IN mm	Ø OUT mm
	SC2 - kW	SC3 - kW													
BREEZE E 25-1 C 7 A 4S	0,8	0,6	2,7	650	38	1x250	1300	95	0,68	9	0,35	0,5	25	12	16
BREEZE E 25-2 C 7 A 4S	1,7	1,3	5,3	1300	41	2x250	1300	190	1,36	9,5	0,7	1,1	35	12	16
BREEZE E 25-3 C 7 A 4S	2,5	2	8,1	1950	42	3x250	1300	285	2,04	9,5	1,05	1,6	45	12	16

SC2: Tc=0°C, UR 85%, Tev=-8°C, R404A
 SC3: Tc=-18°C, UR 95%, Tev=-25°C, R404A

© 2016 Stefani Spa. Data and images are indicative and may be changed in any time without notice.

BREEZE E 31

The new angled air cooler

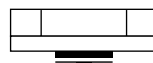


stefani-online.it

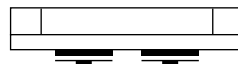
Ø 315 mm
FAN SIZE

2,5 ÷ 10 kW
DT 8K CAPACITY

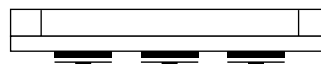
3 - 4,5 - 7 mm
3 FIN SPACING



BREEZE E 31-1



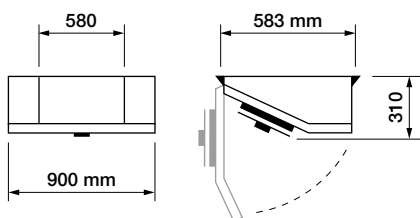
BREEZE E 31-2



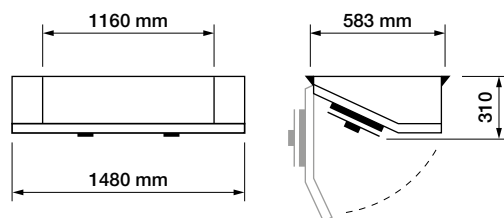
BREEZE E 31-3

DIMENSIONS

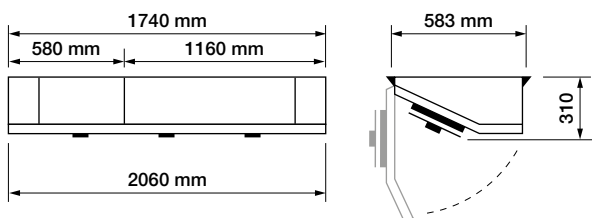
BREEZE E 31-1



BREEZE E 31-2



BREEZE E 31-3



SELECTION CODE

BREEZE E 31 1 C 4,5 A 4S

BREEZE	angled air cooler
E	E = direct expansion C = CO ₂ dx W = brine P = pumped
31	fan size Ø 315 mm
1	number of fans
C	coil type
4,5	fin spacing mm

A	A = air defrost E = electric defrost W = water defrost
4	electric motor poles
S	S = single phase D = three phase high speed
Y	three phase slow speed
EC	electronic motor if present

BREEZE E 31

The new angled air cooler



stefani-online.it

FIN SPACING 3 mm / 4 poles	CAPACITY		SURFACE m ²	AIR FLOW m ³ /h	SOUND PRESSURE dB(A) @ 5m	N° FANS x DIAMETER Nr. x Ø mm	FAN SPEED Rpm	POWER W	CURRENT A	AIR THROW m	DEFROSTING POWER kW	VOLUME lt	WEIGHT kg	Ø IN mm	Ø OUT mm
	SC2 - kW	SC3 - kW													
BREEZE E 31-1 C 3 A 4S	3,2	-	11,4	1650	37	1x315	1350	110	0,52	12,5	0,75	1	33	12	16
BREEZE E 31-2 C 3 A 4S	6,6	-	22,8	3250	40	2x315	1350	220	1,04	13,5	1,5	2,1	49	12	16
BREEZE E 31-3 C 3 A 4S	10,1	-	34,2	4900	41	3x315	1350	330	1,56	13,5	2,25	3,1	64	16	18

FIN SPACING 4,5 mm / 4 poles	CAPACITY		SURFACE m ²	AIR FLOW m ³ /h	SOUND PRESSURE dB(A) @ 5m	N° FANS x DIAMETER Nr. x Ø mm	FAN SPEED Rpm	POWER W	CURRENT A	AIR THROW m	DEFROSTING POWER kW	VOLUME lt	WEIGHT kg	Ø IN mm	Ø OUT mm
	SC2 - kW	SC3 - kW													
BREEZE E 31-1 C 4,5 A 4S	2,8	2	7,8	1750	37	1x315	1350	110	0,52	14	0,75	1	31	12	16
BREEZE E 31-2 C 4,5 A 4S	5,7	4,1	15,6	3500	40	2x315	1350	220	1,04	15	1,5	2,1	45	12	16
BREEZE E 31-3 C 4,5 A 4S	8,7	6,3	23,4	5250	41	3x315	1350	330	1,56	15	2,25	3,1	59	16	18

FIN SPACING 7 mm / 4 poles	CAPACITY		SURFACE m ²	AIR FLOW m ³ /h	SOUND PRESSURE dB(A) @ 5m	N° FANS x DIAMETER Nr. x Ø mm	FAN SPEED Rpm	POWER W	CURRENT A	AIR THROW m	DEFROSTING POWER kW	VOLUME lt	WEIGHT kg	Ø IN mm	Ø OUT mm
	SC2 - kW	SC3 - kW													
BREEZE E 31-1 C 7 A 4S	2,2	1,7	5,2	1850	37	1x315	1350	110	0,52	14,5	0,75	1	30	12	16
BREEZE E 31-2 C 7 A 4S	4,5	3,5	10,4	3700	40	2x315	1350	220	1,04	15,5	1,5	2,1	43	12	16
BREEZE E 31-3 C 7 A 4S	6,8	5,3	15,6	5550	41	3x315	1350	330	1,56	15,5	2,25	3,1	56	16	18

SC2: Tc=0°C, UR 85%, Tev=-8°C, R404A
 SC3: Tc=-18°C, UR 95%, Tev=-25°C, R404A

© 2016 Stefani Spa. Data and images are indicative and may be changed in any time without notice.

CONFIGURATIONS

RANGE	MODELS	FANS		POLES	FIN SPACING	AVAILABLE ON REQUEST			DEFROST	
	Nr.	Nr.	Ø mm		mm				STANDARD ELECTRIC	HOT GAS
BREEZE 25	9	1 ÷ 3	250	4	3 - 4,5 - 7	SYNTHETIC	BRINE	CO ₂	○	○
BREEZE 31	9	1 ÷ 3	315	4	3 - 4,5 - 7				○	○

RANGE	ACCESSORIES						
	DRAIN HEATER	PRE PAINTED FINS	COIL CATHODE TREATMENT	AISI 304 CASING	EASY ACCESS	EC FANS	ELECTRIC WIRING
BREEZE 25	○	○	○	○	●	○	●
BREEZE 31	○	○	○	○	●	○	●

● Standard

○ Optional



BREEZE E 25
BREEZE E 31



The new angled air cooler

© 2016 Stefani Spa. Rev. 01 - 07/2017. Printed in Italy.



**Great products
for great customers**